

## TREN18VK Renault Clio (RJA) 2019>

Item	Qty	Description	Item	Qty	Description
A	1	TREN18 Crossbar	F	1	TTFP/LH Flip Up Socket Plate
B	2	Side Arms	G	2	M12 x 22 Bolts & S/P Washers
C	4	Chassis Spacers	H	2	M12 x 25 Bolts & S/P Washers
D1	1	Left Hand Internal Mounting Bracket	J	4	M6 x 20 Self Tapping Bolts
D2	1	Right Hand Internal Mounting Bracket	K	4	M6 x 15 Bolts & Nyloc Nuts
E	1	6#07 Detachable Neck	L	4	M12 x 45 Bolts & Nyloc Nuts
			M	4	M12 x 45 Bolts & S/P Washers
			N	12	6 x 20 Flat Washers
			P	12	12 x 25 Flat Washers
			Q	4	12 x 30 Flat Washers

### Bumper Removal

1. Remove the rear light clusters one fixing each side. Then remove the two now revealed fixings from around the light cluster area from each side.
2. Remove the eight fixings along the bumpers lower edge followed by the fixing in the wheel arch plus the clip just behind/above the wheel.
3. Pull the wheel arch trim away to gain access to the tip screw and remove.
4. Remove the spare wheel well cover shown in **Figure 3** from the underside six fixings, then pull the bumper out sideways and rearwards to remove, unplugging the sensor loom. **Note:** Some models may have addition fixings connecting the cover to the bumper lower edge. Some may have a panel to be removed. Refer to **Figure 2**.
5. Drill out the rivets securing the internal plastic bumper brackets to the impact beam (Retain these as they will be reinstalled later) then remove the impact beam, four fixings, (This is not reused with the Towbar assembly), replace the fixings back into the panel.
6. Remove the tape covering the two mounting points in the chassis from each side.

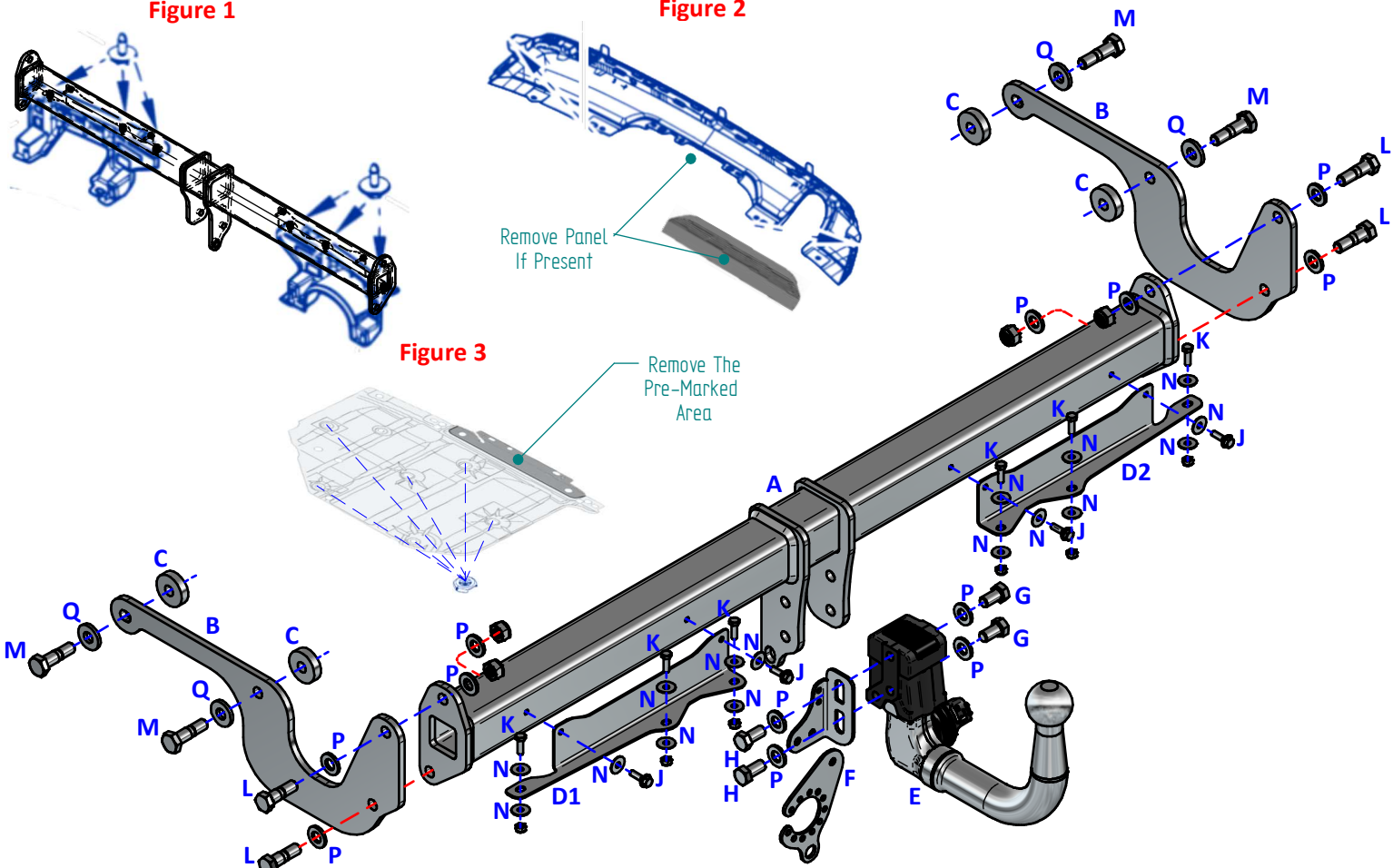
### Towbar Installation

1. Loosely attach items **B** to the chassis using items **M** and items **Q** with items **C**.
2. Loosely attach item **A** to items **B** using items **L** with items **P**.
3. Loosely attach items **D1** and **D2** to item **A** using items **J** and items **N**.
4. Loosely attach the internal plastic bumper brackets to items **D1** and **D2** using items **K** and items **N** as shown in **Figure 1** and fully tighten the fixings.
5. Loosely attach item **E** and item **F** to item **A** using items **G** with items **P** and items **H** with items **P**.
6. Fully tighten all the fixings ensuring the Towbar is rigid, square, and secure
7. Cut the spare wheel panel using **Figure 3** as a guide where the pre-marked area is, then remount the panel and bumper onto the vehicle. **Note:** Some Models may require a slight bumper cut.

Figure 1

Figure 2

Figure 3



### Notes:

1. For Torque settings see general notes overleaf.
2. Nose load limits and vehicle manufacturer's trailer / caravan weight limits must be observed.
3. We recommend the use of PRO-TOW Couplings with all our products.