



## TAUT7VK-6224 Auto-Trail 620G Excel Range Motorhomes 2023>

Item	Qty	Description	Item	Qty	Description
A	1	TAUT7 Crossbar	H	1	Flip Up Socket Plate (TTFP/LH)
B	2	Side Arms	J	2	M12 x 25 Bolts & S/P Washers
C	4	22 mm O/D 44 mm Long Spacer Tubes	K	2	M12 x 22 Bolts & S/P Washers
E	2	Chassis Spacer Plates	L	2	M10 x 35 Bolts & Nyloc Nuts
F	1	6#24 Detachable Neck	M	4	M12 x 45 Bolts & Nyloc Nuts
			N	10	M12 x 90 Bolts & Nyloc Nuts
X1	N/A	OEM Chassis Angle Bracket	P	6	10 x 25 Flat Washers
X2	N/A	OEM Chassis Floor Support	Q	32	12 x 25 Flat Washers

**Notes:**

- Items **X1** coloured in **PURPLE**:- Will be temporarily removed then reinstalled on the outside of the new components.
- Items **X1** and **X2** coloured in **GREEN**:- Although some fixings are removed during the pre-installation steps they are to remain in position.

**Towbar Installation:**

- Remove the four fixings at the rearmost mounting points and the two vertical fixings in **X1** with reference to the Notes above.
- Loosely attach items **B** with item **X1** to the inside face of each chassis, with items **E** as spacers at the rearmost mounting points and fix in place using items **N** with items **Q** with items **C** inserted into the chassis extensions.
- Loosely attach items **X1** to items **X2** using items **L** and items **P**. **Note:** Item **P** shown in **CYAN** is also used as a spacer between items **X1** and items **X2**.
- Using items **M** with items **Q** loosely fix item **A** to items **B**, to the position shown in **Figure 1**.
- Using items **J** and items **K** with items **Q** fix item **F** and item **H** to item **A** to the position shown in **Figure 1**.
- Fully tighten all fixings ensuring the Towbar is rigid, square, and secure.

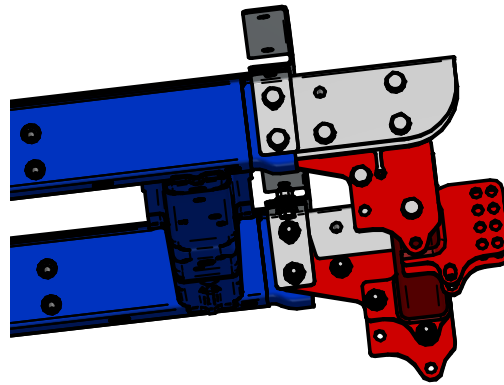
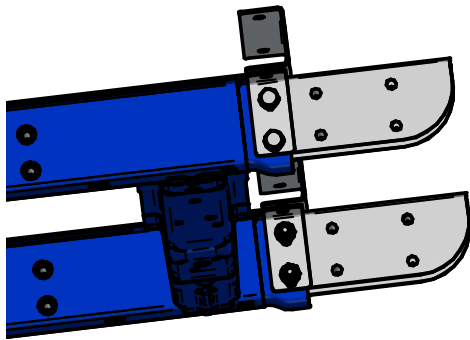
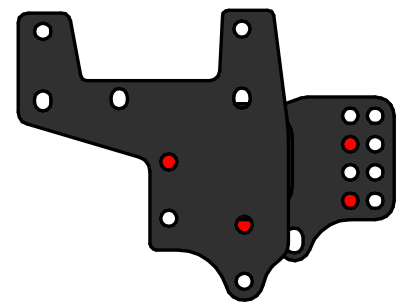
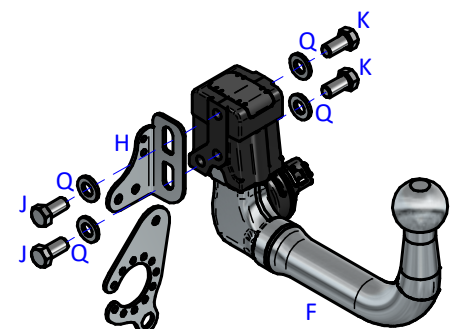
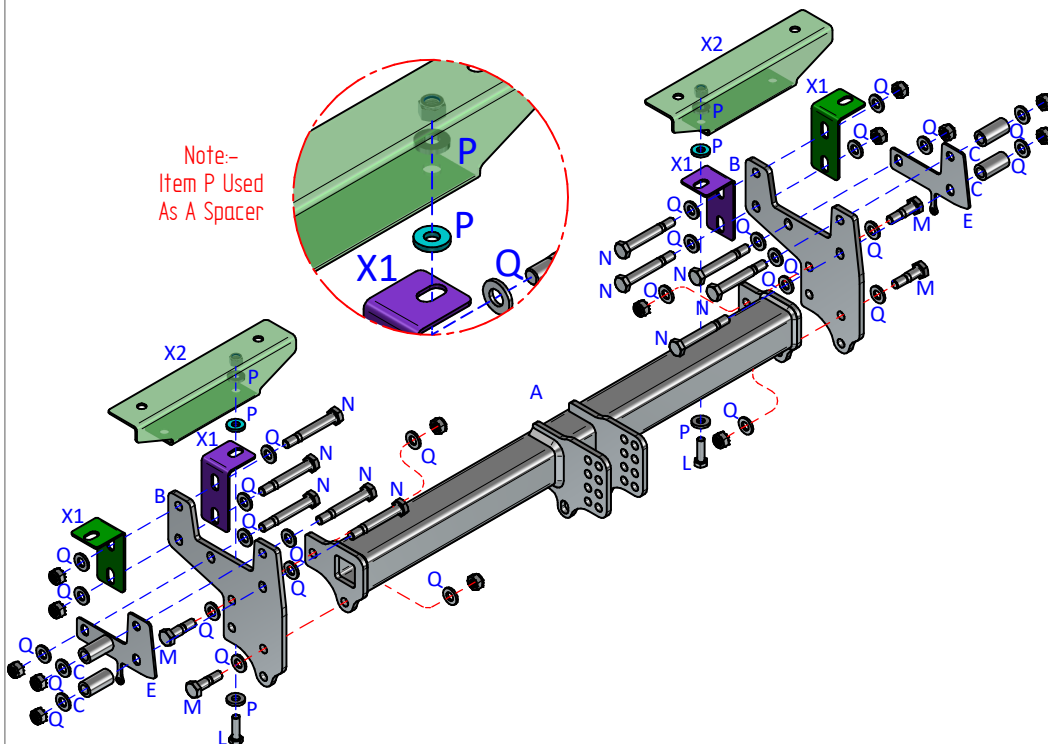


Figure 1



Note:-  
Item P Used  
As A Spacer



**Notes:**

- For Torque settings see general notes overleaf.
- Nose load limits and vehicle manufacturer's trailer / caravan weight limits must be observed.
- We recommend the use of PRO-TOW Couplings with all our products.