

TALKO5 Vehicles Built From AL-KO 1416mm to 1448mm Wide Chassis 2006>

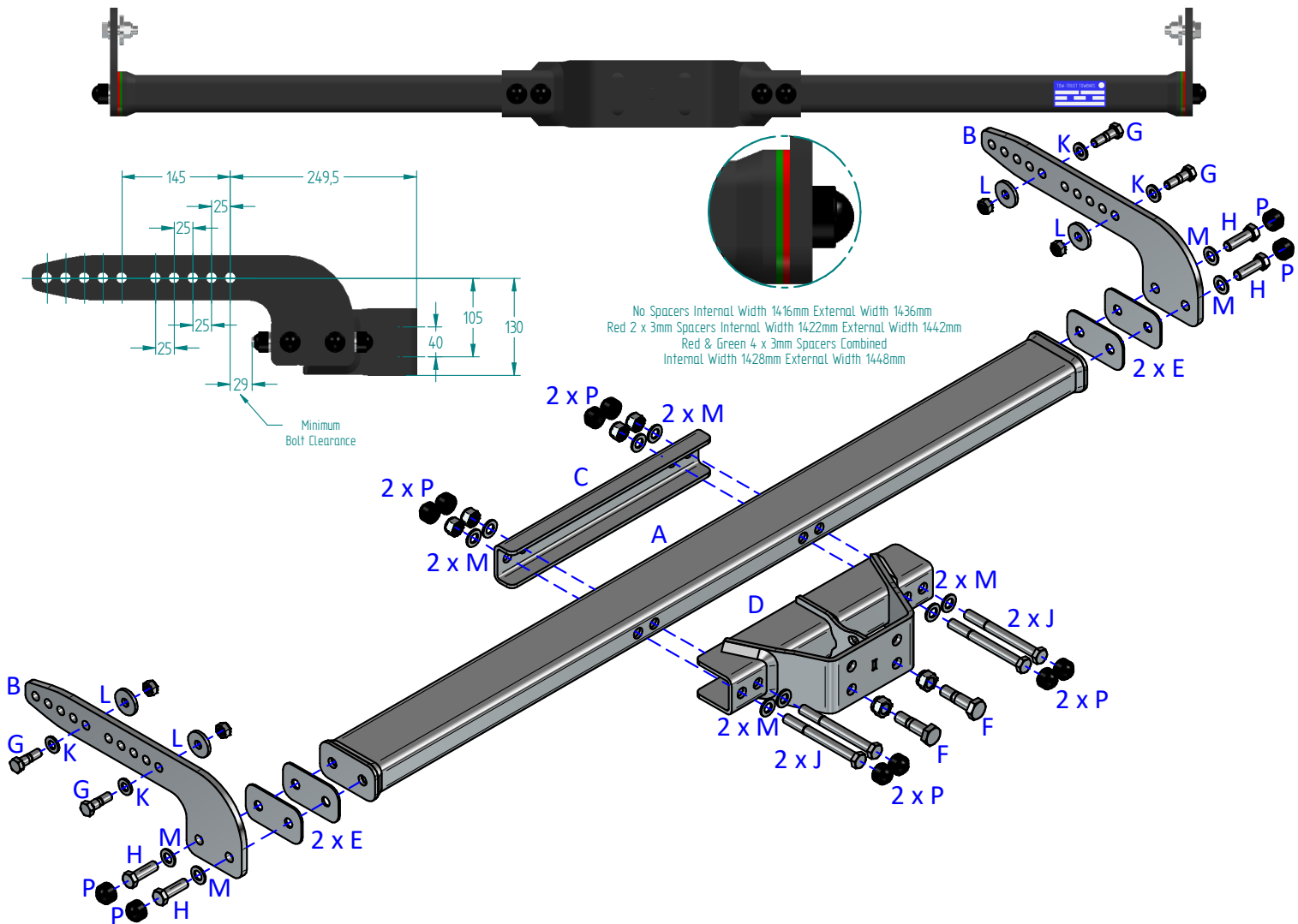
Item	Qty	Description	Item	Qty	Description
A	1	TALKO5 Crossbar 1416mm	F	2	M16 X 60 Bolts & Nyloc Nuts
B	2	Side Arms	G	4	M12 x 40 (10.9) Bolts & Nyloc Nuts
C	1	Rear C-Section	H	4	M14 x 45 Bolts & S/P Washers
D	1	Flange Assembly	J	4	M14 x 140 Bolts & Nyloc Nuts
E	4	Spacer Plates	K	4	12 x 25 Flat Washers
			L	4	12 x 40 Flat Washers
			M	12	14 x 27 Flat Washers
			P	12	M14 Bolt Caps

Notes:

1. Ensure the type approval label is in the position shown below when installing this product.
2. Before installation always establish the correct chassis width and spacer requirements.

Towbar Installation:

1. Locate the rear mounting points and loosely attach items B to the chassis each side using items G with items K and items L.
2. Loosely attach item A to items B (plus items E when required) using items H with items M.
3. Loosely attach items C and D to item A using items J with items M.
4. Using Items F secure your desired ball bracket and wiring plate (Not supplied in this kit) to Item D.
5. Fully tighten all the fixings ensuring the Towbar is ridged, square and secure.
6. Attach items P to items H and items J.



Notes:

1. For Torque settings see general notes overleaf.
2. Nose load limits and vehicle manufacturer's trailer / caravan weight limits must be observed.
3. We recommend the use of PRO-TOW Couplings with all our products.