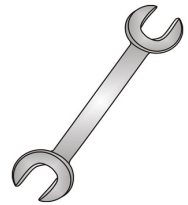




Tow-Trust Towbars

Important: Please read General Notes overleaf before fitting

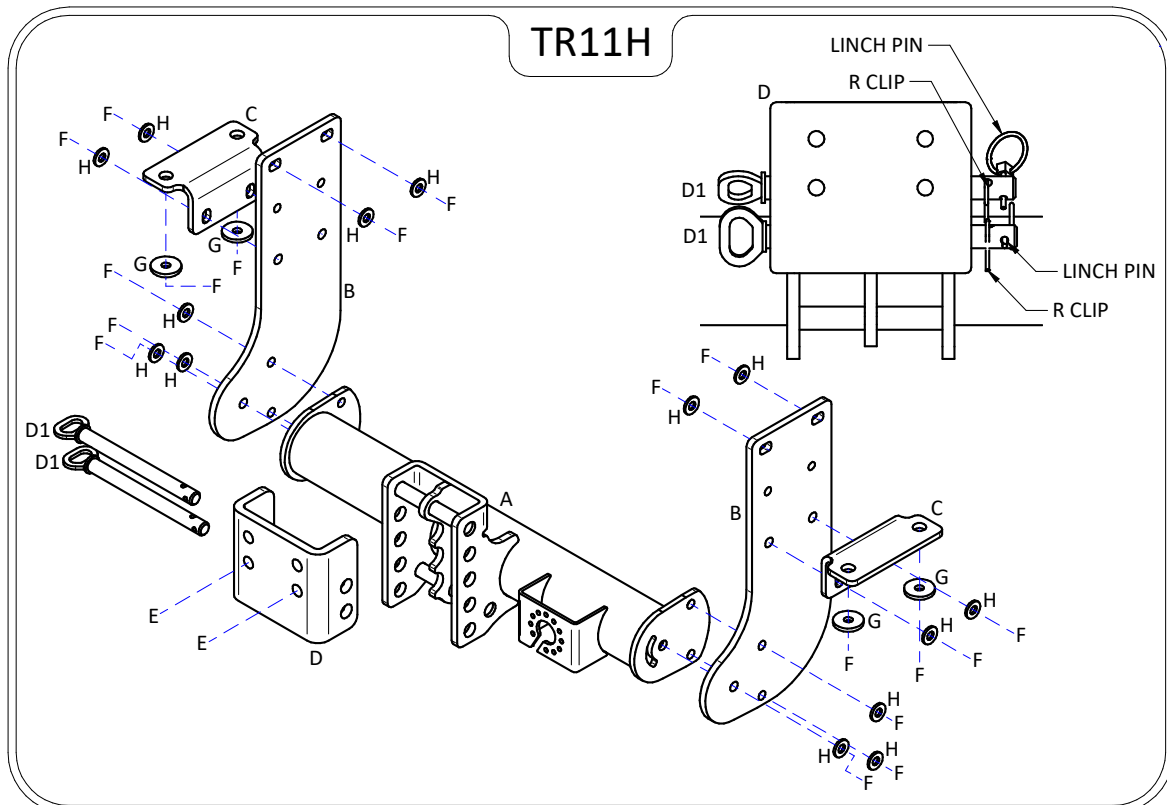


Issue 4

TR11H RENAULT MASTER CHASSIS CAB 2010> NISSAN NV400 CHASSIS CAB 2011> VAUXHALL MOVANO CHASSIS CAB (TWIN REAR WHEEL) 2010>

Item	Qty	Description	Item	Qty	Description
A	1	Crossmember	E	2	M16 x 55 Bolts & Nyloc Nuts
B	2	Side Arms	F	18	M12 x 40 Bolts, 8 Nyloc Nuts & 10 S/P Washers
C	2	Angle Side Arms	G	4	12 x 40 Flat Washers
D	1	Slider Face Plate	H	14	12 x 25 Flat Washers
D1	2	Slider Pins & Clips	J	2	M16 x 50 Bolts

1. Locate all Towbar mounting points and remove the existing fixings (4 from the L/H chassis member and 2 from the R/H chassis member). Clean all Towbar mounting faces on chassis members ensuring all faces are clean and grease free.
2. Using Item **F** and Item **H** loosely bolt Items **B** to each inside chassis member.
3. Using Item **F** and Item **G** bolt Items **C** to the lower face of each chassis member.
4. Using Item **F** and Item **H** bolt Items **C** to Items **B**.
5. Using Item **F** and Item **H** bolt Item **A** between items **B**.
6. Using Item **E** or Item **J** bolt your desired ball bracket (not supplied in this kit) to Item **D**. (**Std. Ball Setting lower holes**)
7. Fit Item **D** to Item **A** using Item **D1**. SEE SKETCH for orientation of clips. (**Std. Ball Setting, Central Setting**)
8. Fully tighten all fixings ensuring Towbar is rigid, square and secure.



- Note:**
1. Recommended Torque Setting for M12 Grade 10.9 -130 Nm. (For other Torque Settings see notes overleaf.)
 2. Nose load limits and vehicle manufacturers trailer / caravan weight limits must be observed.