



Tow-Trust Towbars

Important: Please read General Notes overleaf before fitting
Issue: 1



TPUG16 PEUGEOT 2008 2020>

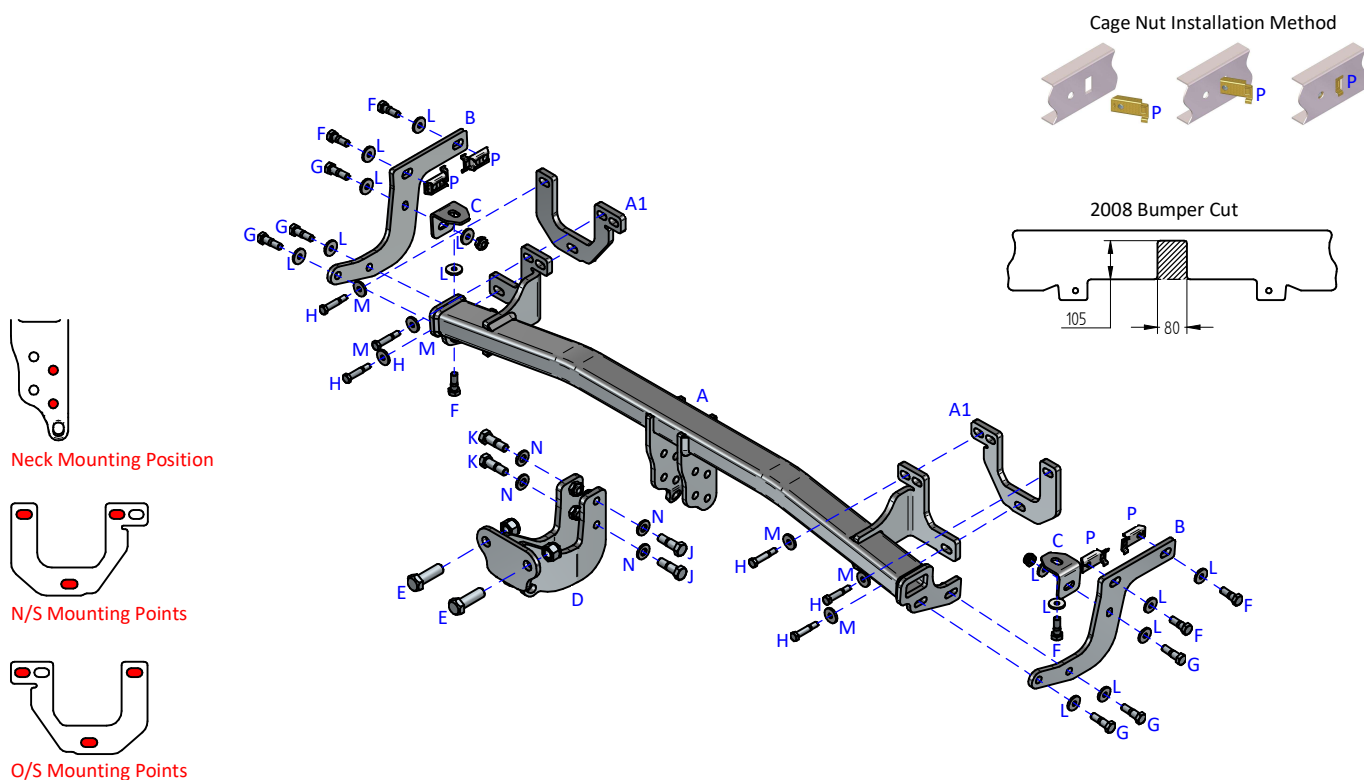
Item	Qty	Description	Item	Qty	Description
A	1	TPUG16 Crossmember	E	2	M16 x 50 Bolts & Nyloc Nuts
A1	2	Rear Panel Brackets	F	6	M10 x 30 Bolts & S/P Washers
B	2	Side Arms	G	6	M10 x 35 Bolts & Nyloc Nuts
C	2	Angle Brackets	H	6	M8 x 45 (10.9) Bolts & S/P Washers
D	1	Extension	J	2	M12 x 40 Bolts & Nyloc Nuts
			K	2	M12 x 40 Bolts & Nyloc Nuts
			L	18	10 x 25 Flat Washers
			M	6	8 x 25 H/D Flat Washers
			N	4	12 x 25 Flat Washers
			P	4	Small M10 Cage Nuts (Metal)

BUMPER REMOVAL:

1. Open the rear tailgate, remove one fixings either side of boot opening, remove the trim from the inside edge of each light cluster, this will enable you to access the bumper release clips (you may find this easier removing the complete light cluster, one fixing found inside the boot), remove three fixings from each wheel arch, unclip each wheel arch trim. Remove six fixings from the bumper lower edge, carefully pull bumper tips sideways then carefully release from around each light cluster area, pull rearward to finally release the bumper from the vehicle body. Unplug any necessary wiring looms.

TOWBAR INSTALLATION:

1. Locate the Towbar mounting points on the outside and lower face of each chassis (these will be covered with tape), clean the chassis faces then insert Items **P** into the outside face mounting points.
2. One side at a time, remove all fixings securing the rear impact beam to the vehicle, Using Item **H** with Item **M** fix Items **A1** to the rear panel sandwiching the rear impact beam. (Only fit to the outer upper point at this stage).
3. Using Item **H** with Item **M** fix Item **A** and Items **A1** to the rear panel.
4. Fix Items **C** to the lower face of each chassis member using Item **F** and Item **L**.
5. Fix Items **B** to the outside face of each chassis member using Item **F** and Item **L**.
6. Fix items **B** to Items **C** and Item **A** using Items **G** and Items **L**.
7. Using Item **J** with Item **N** and Item **K** with Item **N** fix item **D** to Item **A**.
8. Fix your desired ball bracket and wiring plate (Not supplied in this kit) to Item **D** using Items **E**.
9. Fully tighten all fixings ensuring the Towbar is rigid, square, and secure.
10. Cut the rear bumper as shown below and refit.



Notes:

1. For Torque settings see general notes overleaf.
2. Nose load limits and vehicle manufacturer's trailer / caravan weight limits must be observed.