



Tow-Trust Towbars

Important: Please read General Notes overleaf before fitting



Issue 3

TM19 MERCEDES E-CLASS (Inc. AMG Style) 2016>

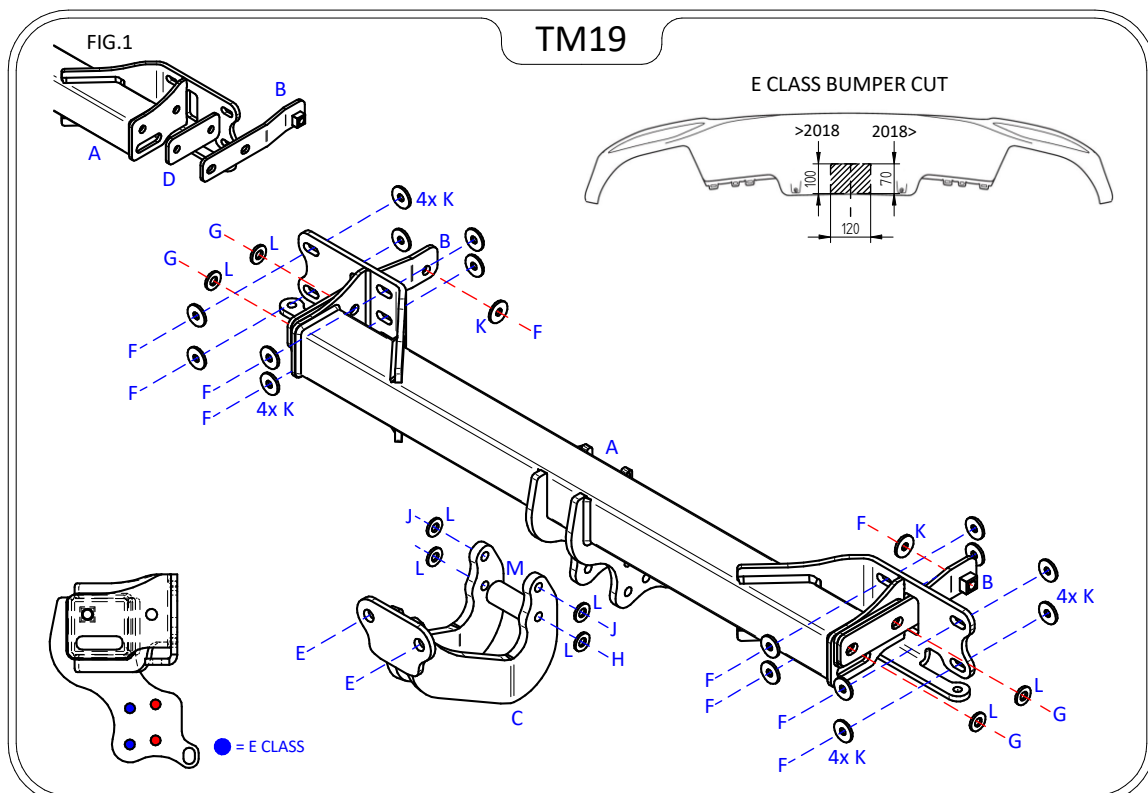
Item	Qty	Description	Item	Qty	Description
A	1	Crossmember	E	2	M16 X 50 Bolts & Nyloc Nuts
B	2	Handed Side Arms	F	10	M10 x 35 Bolts (10.9), 8 Nyloc Nuts & 2 S/P Washers
C	1	Extension	G	4	M12 x 40 Bolts, 2 Nyloc Nuts & 2 S/P Washers
D	2	Spacer Plates	H	1	M12 x 130 Bolt (10.9) & Nyloc Nut
			J	2	M12 x 40 Bolts & Nyloc Nuts
			K	18	10 x 30 Flat Washers
			L	8	12 x 25 Flat Washers
			M	1	30mm O/D x 60mm Long Spacer Tube

BUMPER REMOVAL:

1. Remove the boot interior trim.
2. Remove the rear light clusters, three fixings found inside the vehicle.
3. Remove seven fixings along the lower edge, three fixings securing each wheel arch liner, two fixings behind each wheel arch liner and one tip fixing either side.
4. Remove four fixings through the rear panel found inside the vehicle.
5. Release the bumper from the vehicle starting at bumper tips then rearward ensuring any wiring looms are disconnected.
6. Remove the two fixings securing the AdBlue tank to the vehicle. (Support to prevent damage)
7. Remove the rear impact beam from the rear panel. (Impact beam is not refitted with Towbar assembly)

TOWBAR INSTALLATION:

1. Using Item F with Item K fix Item A to the rear panel. (Always ensure the original gaskets are between Item A and the rear panel, we also advise an adequate sealant to be added around the Towbar and rear panel joints to stop water ingress).
2. Insert Items B through the Towbar end plates and secure to the inside face of each chassis member with Items F and Items K.
3. Using Items G and Items L fix Items B to Item A fitting Item D as a spacer. SEE FIG.1.
4. Using Item H with Item L and Item J with Item L fix Item C to Item A ensuring Item M is fitted between the lowest fixing point.
5. Using Item E fix your desired ball bracket and wiring plate (not supplied in this kit) to Item C.
6. Fully tighten all fixings ensuring the Towbar is rigid, square and secure.
7. Refit the AdBlue tank.
8. Cut the rear bumper as per the sketch below. 2018> Models will require the under tray to be trimmed 25mm deep.
9. Refit the rear bumper, light clusters and boot interior trim.



Note:

1. Recommended Torque Setting for M12 Grade 10.9 -139 Nm. (For other Torque Settings see notes overleaf.)
2. Nose load limits and vehicle manufacturers trailer / caravan weight limits must be observed.