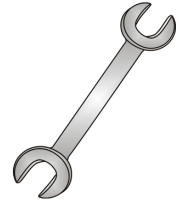




# Tow-Trust Towbars

Important: Please read General Notes overleaf before fitting

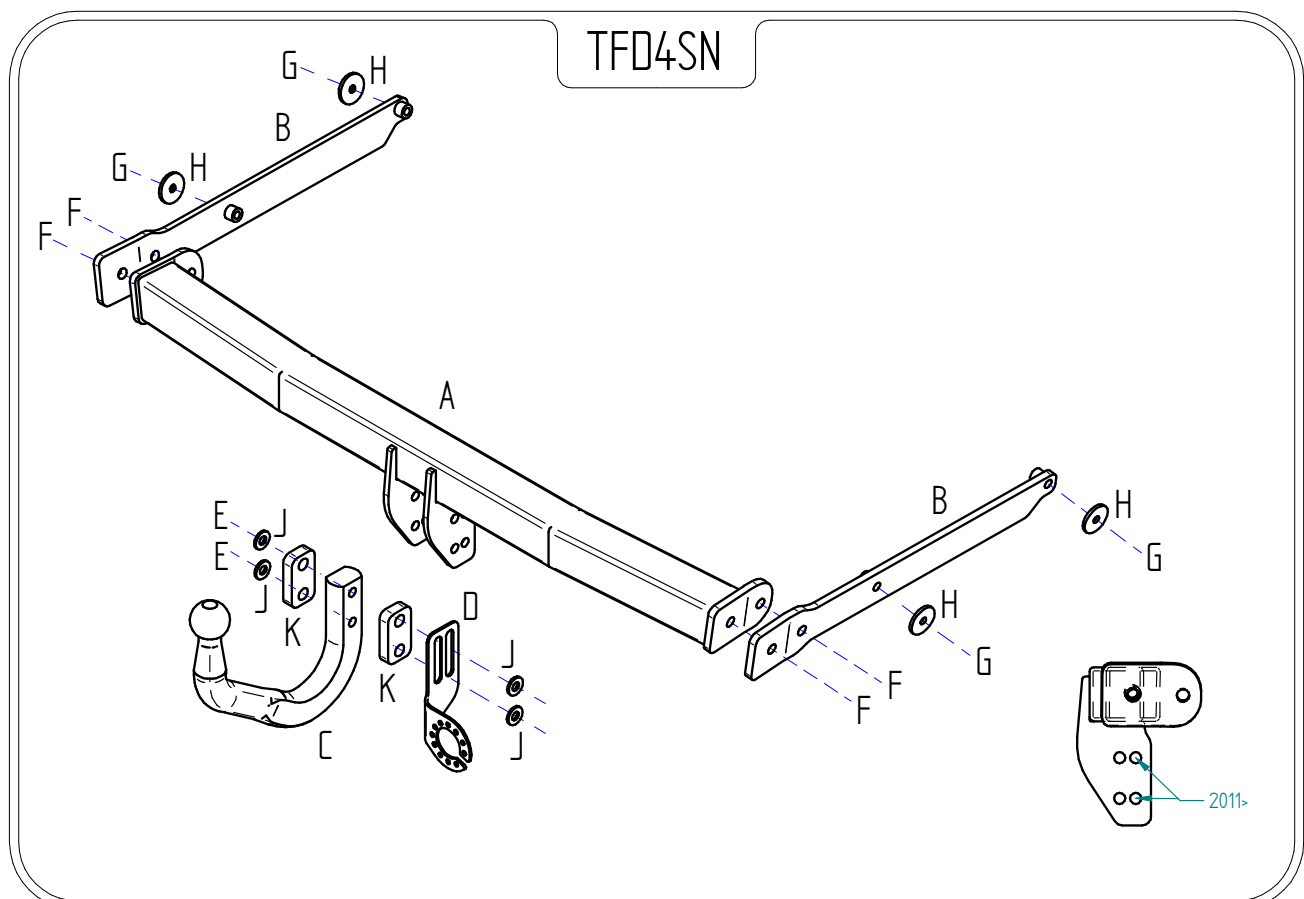


Issue 4

## TFD4SN FORD C-MAX 2003> / GRAND C-MAX 2011> & FOCUS HATCH 2005> / FOCUS SAL 2005>

Item	Qty	Description	Item	Qty	Description
A	1	Crossmember	D	1	VASP8 L/H Socket Plate
B	2	Handed Side Arms	E	2	M12 x 110 Grade 10.9 Bolts & Nyloc Nuts
C	1	ACS4 / 9204 Swan Neck	F	4	M12 x 40 Bolts, 2 Nuts & 4 S/P Washers
			G	4	M10 x 40 Bolts & S/P Washers
			H	4	10 x 40 Flat Washers
			J	4	12 x 25 Flat Washers
			K	2	15mm Spacer Plates

1. Remove the rear bumper. Two fixings along lower edge, two tip fixings each side, one fixing under wheel arch liner each side, four fixings when the tailgate is open. Pull the bumper out sideways at each tip then pull rearwards.
2. **FOCUS 3 2011>** Cut under tray to suit Towbar. (under tray can be left off the vehicle and handed back to the customer)
3. Remove bumper beam. (This is not refitted with the Towbar.)
4. Place Item **B** into the open ends of each chassis and using Item **G** with Item **H** loosely bolt through existing holes.
5. Cut plastic tab off from the centre of the plastic rear panel.
6. Using Item **F** bolt Item **A** to Item **B**.
7. Using Item **E** with item **J** and Item **K** bolt item **C** and item **D** to Item **A**.
8. Fully tighten all nuts and bolts and ensure the Towbar is rigid and secure.
9. Replace bumper.



**Note:**

1. Recommended Torque Setting for M12 Grade 10.9 -139 Nm. (For other Torque Settings see notes overleaf.)
2. Nose load limits and vehicle manufacturers trailer / caravan weight limits must be observed.