



# Tow-Trust Towbars

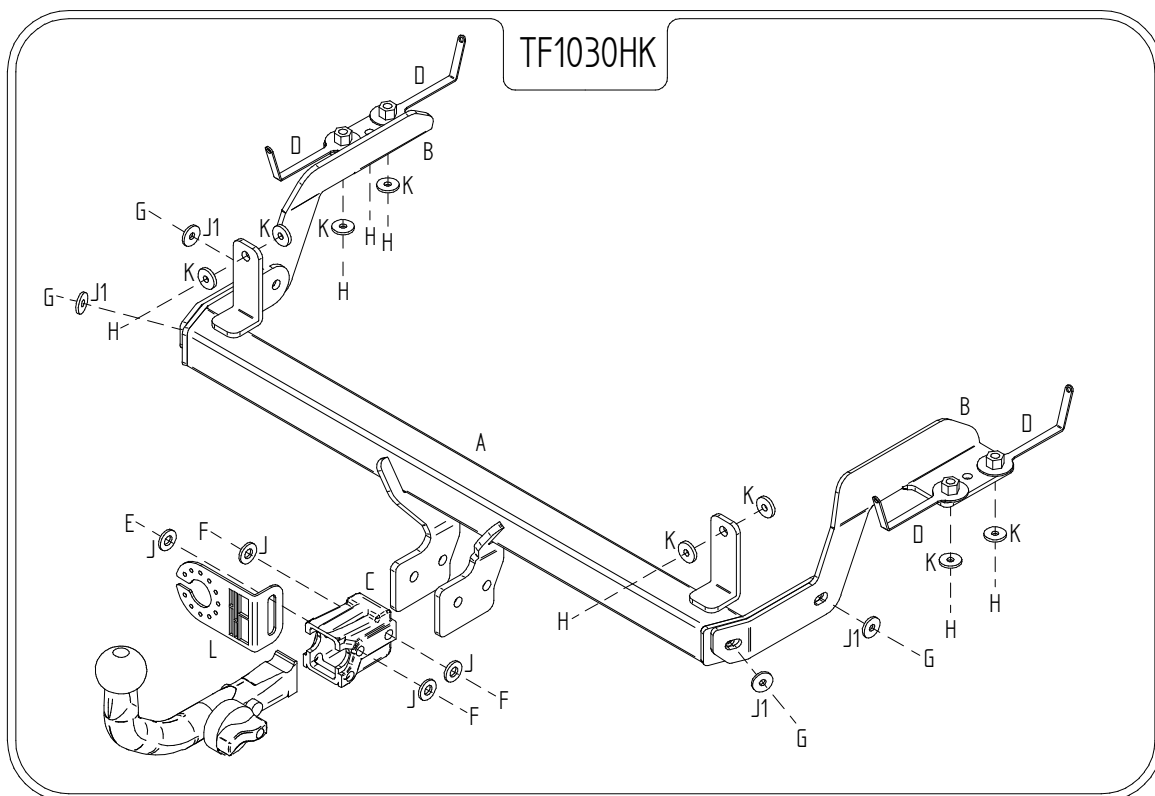
Important: Please read General Notes overleaf before fitting

Issue 1

## TF1030HK Fiat Punto '99>

Item	Qty	Description	Item	Qty	Description
A	1	Crossmember	E	1	M12 x 25 Bolt & S/P Washers
B	2	L/H R/H Side Arms	F	3	M12 x 22 Bolts & S/P Washers
C	1	Detachable Housing	G	4	M10 x 35 Bolts, 2 Nuts & 4 S/P Washers
D	4	M8 Captive Nuts	H	7	M8 x 35 Bolts, 3 Nuts & 7 S/P Washers
			J	4	12 x 25 Flat Washers
			J1	4	10 x 25 Flat Washers
			K	9	8 x 25 Flat Washers

1. Remove the four clips from the bottom edge of the bumper.
2. Remove the rearmost exhaust hanger bracket. Remove the grommets from the chassis and the two in the exhaust hanger.
3. Locate the two slots inside the boot above each chassis members.
4. Locate item **D** down through the slots into the chassis and position over the existing holes.
5. Using item **H** with item **K** loosely bolt item **B** to the underside of each chassis member.
6. Using item **H** with item **K** loosely bolt item **A** to the existing holes in the rear panel.
7. Using item **G** with item **J1** bolt item **A** to item **B**.
8. Using the remaining hole in item **A** and item **B** as a jig. Drill 13mm hole through each towing eye and bolt into position using item **G** and item **J1**.
9. Using item **F** with item **J** and item **E** with item **J** bolt item **C** and item **L** to item **A**.
10. Fully tighten all nuts and bolts and ensure the towbar is rigid and secure.
11. Using the remaining item **H** and item **K** refit the exhaust hanger.



**Note:**

1. Recommended Torque Setting for M12 Grade 10.9 -139 Nm. (For other Torque Settings see notes overleaf.)
2. Nose load limits and vehicle manufacturers trailer / caravan weight limits must be observed.