

## TAD7 AUDI E-Tron SUV & Sportback 2020>

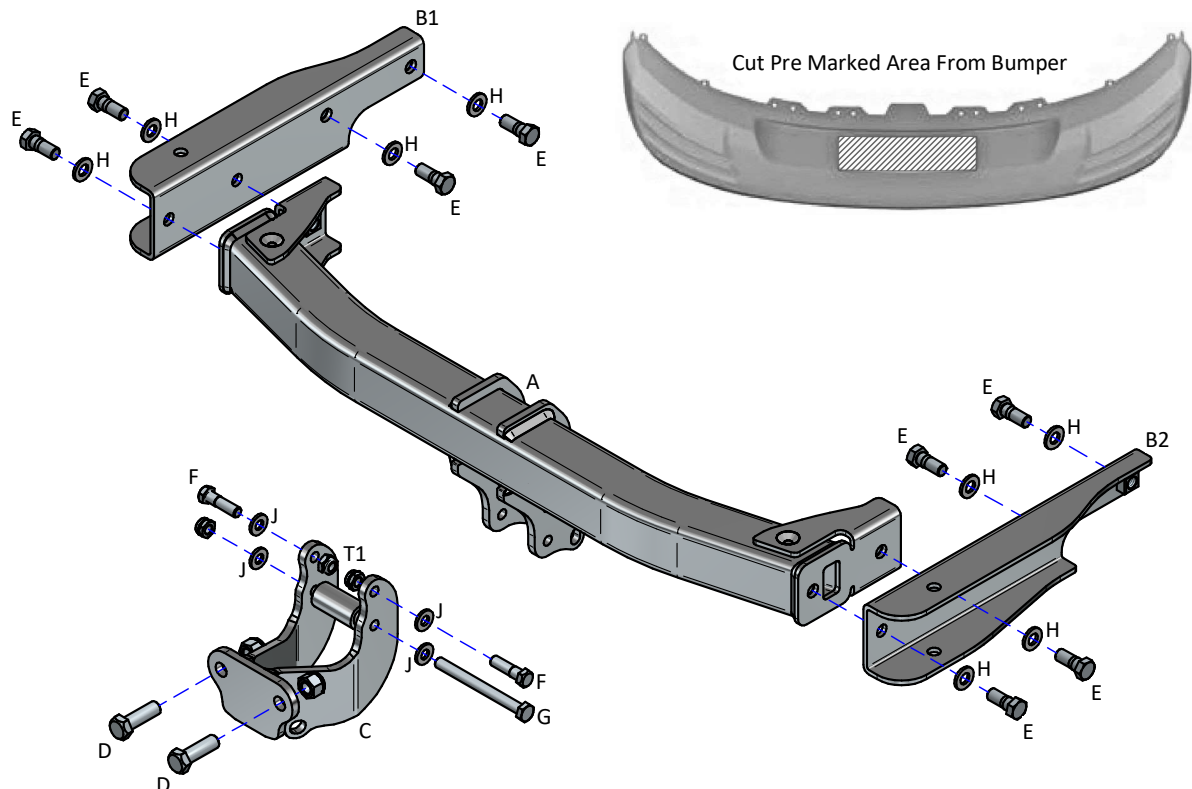
Item	Qty	Description	Item	Qty	Description
A	1	TAD7 Crossmember	D	2	M16 x 50 Bolts & Nyloc Nuts
B1	1	L/H Side Arm	E	8	M14 x 35 Bolts & S/P Washers
B2	1	R/H Side Arm	F	2	M12 x 45 Bolts & Nyloc Nuts
C	1	Extension	G	1	M12 x 130 Bolt & Nyloc Nut
			H	8	14 x 27 Flat Washers
			J	4	12 x 25 Flat Washers
			T1	1	30mm O/D x 60mm Long Spacer Tube

### BUMPER REMOVAL:

1. Open the rear tail gate and remove the inner light trim from each light cluster, this will reveal two fixings. remove each light cluster.  
NOTE: light clusters are exceptionally tight to free from the vehicle.
2. Once the light clusters are removed slide out the clamp from along the outer edge of the body and remove the one fixing screw in the inner edge on both sides.
3. Unclip the wheel arch trim to reveal one tip screw each side, remove three fixings inside each wheel arch, remove fourteen fixings from lower bumper edge.
4. Remove the boot flooring to enable the rear boot shut panel to be removed, once removed there are four fixings recessed in the rear panel securing the bumper.
5. Pull bumper tips out sideways then carefully release bumper from around each light cluster area then pull rearwards to remove from vehicle unclipping any necessary wiring looms.
6. Remove the rear impact beam, impact beam is not refitted with the Towbar assembly. Always ensure fixings are refitted into rear panel to stop water ingress.

### TOWBAR INSTALLATION:

1. Insert Items B into each chassis and secure in place using Item E and Item H.
2. Secure Item A between each side arm using Items E and Item H.
3. Fully tighten all fixings ensuring the Towbar is rigid, square, and secure.
4. Cut the pre marked area from the rear bumper and refit along with the rear light clusters.
5. Secure Item C to Item A using Items F with Items J and Item G with Items J ensuring Item T1 is fitted between the lower mounting point.
6. Using Item D secure your desired ball bracket and wiring plate (Not supplied in this kit) to Item C.
7. Fully tighten all remaining fixings.



### Notes:

1. For Torque settings see general notes overleaf.
2. Nose load limits and vehicle manufacturer's trailer / caravan weight limits must be observed.