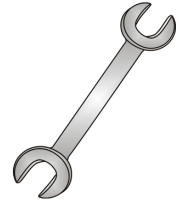




Tow-Trust Towbars

Important: Please read General Notes overleaf before fitting



Issue 2

TAD1 AUDI A6 & A7 2011>

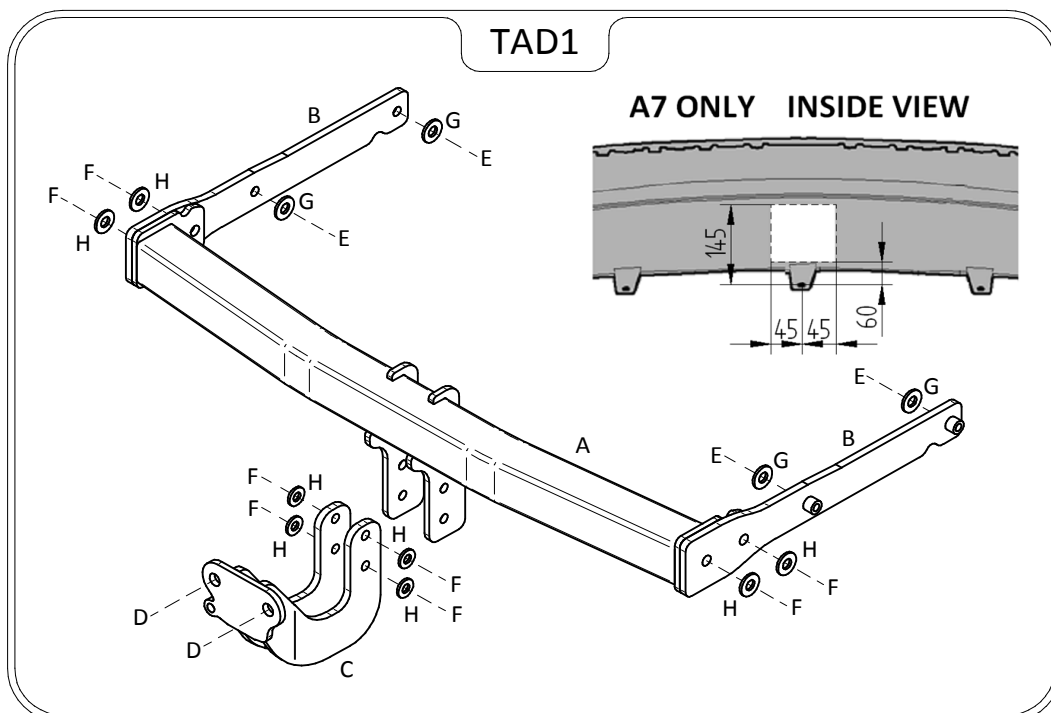
Item	Qty	Description	Item	Qty	Description
A	1	Crossmember	D	2	M16 x 50 Bolts, Nuts & S/P Washers
B	2	Handed Side Arms	E	4	M10 x 35 Grade 10.9 Bolts & S/P Washers
C	1	Extension	F	8	M12 x 40 Bolts, 2 Nyloc Nuts & 6 S/P Washers
			G	4	10 x 30 Flat Washers
			H	8	12 x 25 Flat Washers

BUMPER REMOVAL:

1. First remove the inner cover from each rear light cluster, this will reveal two fixings behind, remove these fixings and remove each light cluster. Under each light cluster there should be one bumper fixing and a retaining pin, lift the retaining pin up and out and remove the fixing.
2. Remove four fixings from around each wheel arch and three fixings along the lower edge of the bumper.
3. Pull bumper tips outward then rearward disconnecting any wiring looms internal of the bumper.

TOWBAR INSTALLATION:

1. Remove the boot carpets to reveal the Towbar mounting points on each inner face of the chassis members. (These may be covered with tape).
2. Remove the rear crash beam and discard. **NOTE:** ensure all fixings are refitted and fully tightened in the rear panel.
3. Insert Items B into each correct chassis member and bolt in place using Item E and Item G.
4. Using Item F with Item H bolt Item A between Items B.
5. At this stage fully tighten all fixings ensuring Towbar is rigid square and secure.
6. Refit the rear bumper.
7. Using Item F with Item H bolt Item C to Item A.
8. Using Item D bolt your desired ball bracket and wiring plate (not supplied in this kit) to Item C and fully tighten remaining fixings.



Note:

1. Recommended Torque Setting for M12 Grade 10.9 -139 Nm. (For other Torque Settings see notes overleaf.)
2. Nose load limits and vehicle manufacturers trailer / caravan weight limits must be observed.